

**PLEASE CHECK WWW.MOLEX.COM FOR LATEST PART INFORMATION**

**Part Number:** [0395220006](#)  
**Status:** **Active**  
**Description:** 5.00mm (.197") Pitch Eurostyle™ Horizontal PCB Header, Open Ends, 6 Circuits

**Documents:**

[3D Model](#) [Product Specification PS-39500-001 \(PDF\)](#)  
[Drawing \(PDF\)](#) [RoHS Certificate of Compliance \(PDF\)](#)

**General**

|                             |                           |
|-----------------------------|---------------------------|
| Product Family              | Terminal Blocks           |
| Series                      | <a href="#">39522</a>     |
| Application                 | Wire-to-Board             |
| Component Type              | PCB Header                |
| Product Literature Order No | USA-355                   |
| Product Name                | ESE, Eurostyle™ Pluggable |
| Type                        | Euro Block                |

**Physical**

|                                |                 |
|--------------------------------|-----------------|
| Circuits (Loaded)              | 6               |
| Entry Angle                    | N/A             |
| Lock to Mating Part            | Yes             |
| Number of Rows                 | 1               |
| Orientation                    | Horizontal      |
| PC Tail Length (in)            | 0.154 In        |
| PC Tail Length (mm)            | 3.90 mm         |
| PCB Thickness Recommended (in) | 0.125 In        |
| PCB Thickness Recommended (mm) | 3.20 mm         |
| Panel Mount                    | No              |
| Pitch - Mating Interface (in)  | 0.197 In        |
| Pitch - Mating Interface (mm)  | 5.00 mm         |
| Polarized to Mating Part       | Yes             |
| Shrouded                       | Open Ends       |
| Stackable                      | No              |
| Surface Mount Compatible (SMC) | N/A             |
| Temperature Range - Operating  | -40°C to +105°C |
| Wire Size AWG                  | N/A             |

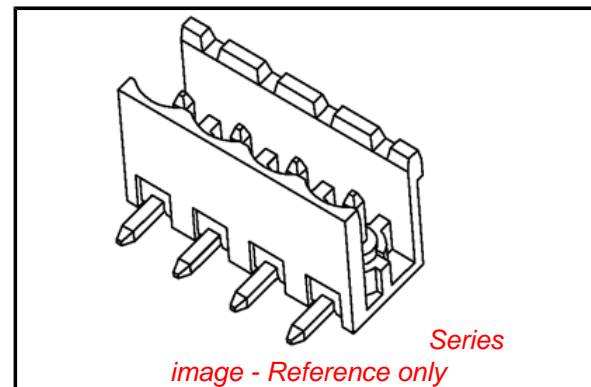
**Electrical**

|                               |      |
|-------------------------------|------|
| Current - Maximum per Contact | 15A  |
| Voltage - Maximum             | 300V |

**Material Info**

**Reference - Drawing Numbers**

|                       |                            |
|-----------------------|----------------------------|
| Product Specification | PS-39500-001               |
| Sales Drawing         | SD-39501-002, SD-39522-003 |



**EU RoHS**

**ELV and RoHS**  
**Compliant**  
**REACH SVHC**  
 Not Reviewed  
**Halogen-Free**  
**Status**  
**Not Reviewed**

**China RoHS**



**Need more information on product environmental compliance?**

Email [productcompliance@molex.com](mailto:productcompliance@molex.com)  
 For a multiple part number RoHS Certificate of Compliance, [click here](#)

Please visit the [Contact Us](#) section for any non-product compliance questions.

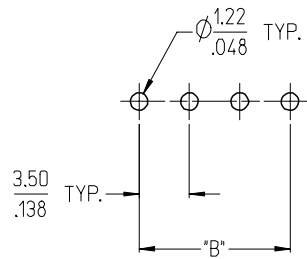
**Search Parts in this Series**

[39522Series](#)

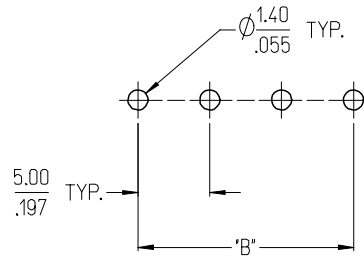
**Mates With**

[39520](#) Horizontal Plug, [39523](#) Vertical Plug, Most 5.00mm (.197") Pitch Industry Standard Plugs

3950X SERIES  
3.50mm HEADERS



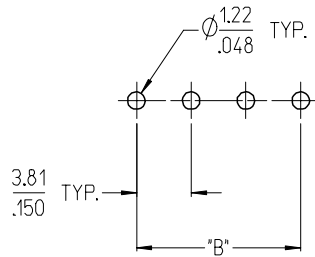
3952X & 3954X SERIES  
5.00mm HEADERS  
5.00mm 10 AMP FIXED



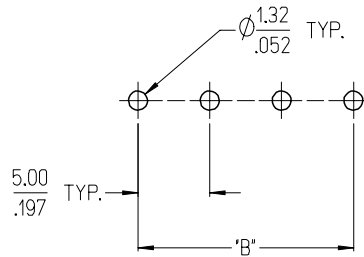
3953X SERIES  
5.08mm HEADERS



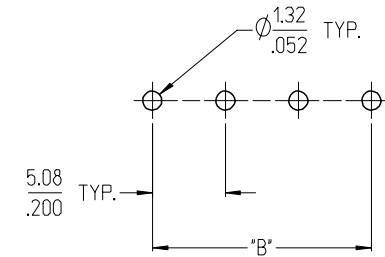
3951X SERIES  
3.81mm HEADERS



3954X SERIES  
5.00mm 15 AMP FIXED



3954X SERIES  
5.08mm 15 AMP FIXED



NOTES:

- REFER TO INDIVIDUAL PRODUCT SALES DRAWINGS FOR "B" DIMENSION.
- DOES NOT APPLY TO DUAL LEVEL HEADERS, SERIES 39528 AND 39538.
- TYP. = TYPICAL.

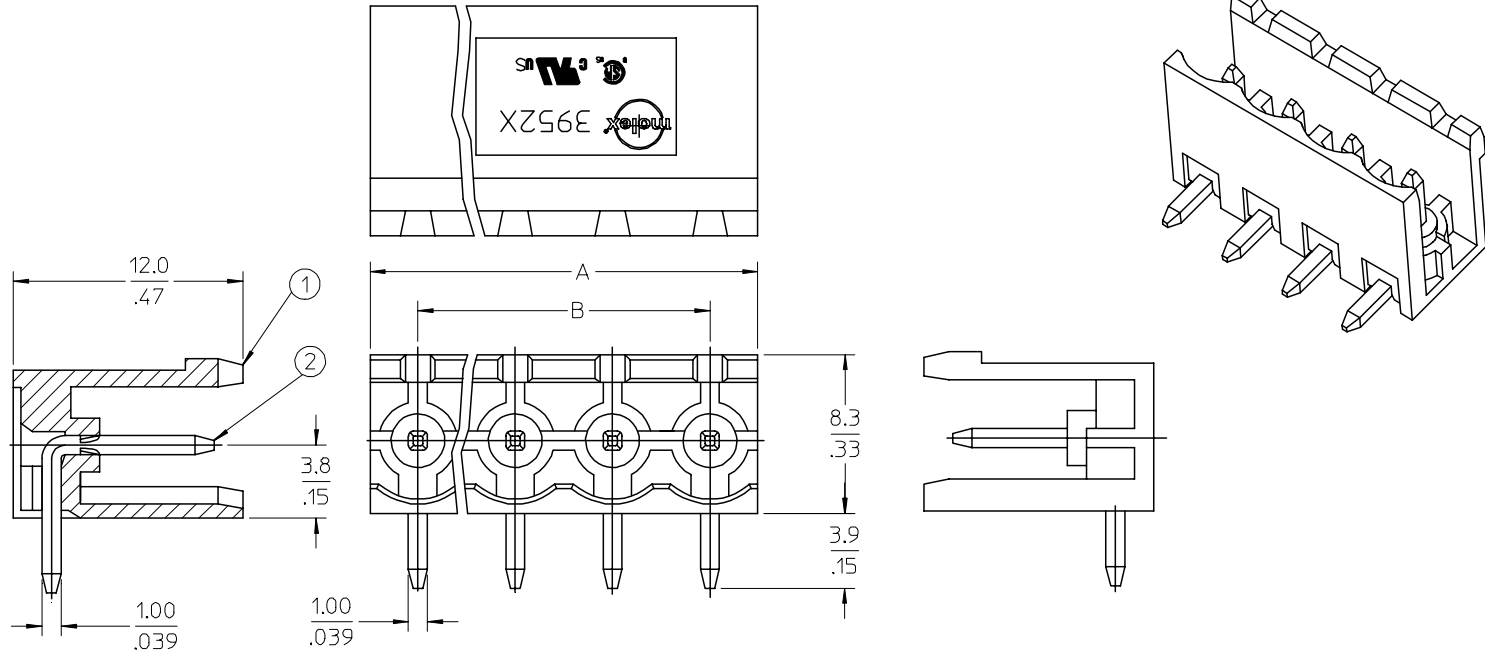
|                 |                     |
|-----------------|---------------------|
| INITIAL RELEASE | EC NO: ETC2007-0096 |
| DRWN: CLYORK    | 2006/10/02          |
| CHKD: JMACNEIL  | 2006/10/04          |
| APPR: JMACNEIL  | 2006/10/04          |
| REV             | DESCRIPTION         |
| A               |                     |

|                 |
|-----------------|
| QUALITY SYMBOLS |
| ◀=0             |
| ▽=0             |

| GENERAL TOLERANCES (UNLESS SPECIFIED)                |                  |
|--|------------------|
|  | MM/INCH          |
| 4 PLACES   | ± .005 / ± .0005 |
| 3 PLACES   | ± .010 / ± .0010 |
| 2 PLACES   | ± 0.13 / ± .01   |
| 1 PLACE  | ± 0.3 / ± .01    |
| ANGULAR ± 2 °  |                  |
| DRAFT WHERE APPLICABLE MUST REMAIN WITHIN DIMENSIONS |                  |

| DIMENSION STYLE |            |
|-----------------|------------|
| MM/IN           |            |
| DRAWN BY        | DATE       |
| C. YORK         | 2006/08/25 |
| CHECKED BY      | DATE       |
| J. MACNEIL      | 2006/08/25 |
| APPROVED BY     | DATE       |
| J. MACNEIL      | 2006/08/25 |
| MATERIAL NO.    |            |
| --              |            |

|   |              |                        |
|---|--------------|------------------------|
| SCALE   | DESIGN UNITS | THIRD ANGLE PROJECTION |
| 3:1   | INCH         | ☑                      |
| TITLE   |              |                        |
| RECOMMENDED PCB LAYOUT FOR ESE TERMINAL BLOCKS  |              |                        |
| MOLEX INCORPORATED  |              |                        |
| DOCUMENT NO.  | SHEET NO.    |                        |
| SD-39501-002  | 1 OF 1       |                        |
| THIS DRAWING CONTAINS INFORMATION THAT IS PROPRIETARY TO MOLEX INCORPORATED AND SHOULD NOT BE USED WITHOUT WRITTEN PERMISSION |              |                        |



**SPECIFICATIONS:**

1. Material:
  - (1). Body: PA66
  - (2). Pin: Brass
2. Wire range: N/A
3. Electrical rating: 300V, 15A.
4. Wire strip length: N/A
5. Operating temperature: -40C to +105C.
6. Max torque: N/A
7. Insulation resistance: DC 500V, 500M.
8. Dielectric withstand: AC 2500V for 1 minute.
9. Breakdown voltage: 4000V.
10.  $A = (N \times P)$
11.  $B = (N - 1) \times P$
12.  $P$  (PITCH) = 5.0mm (.197").
13.  $N$  = Number of positions available 2 through 24.

|  |                               |  |             |   |                    |              |   |  |  |
|--|-------------------------------|--|-------------|---|--------------------|--------------|---|--|--|
| ENTER DESCRIPTION<br>EC NO: NEO2006-0310<br>DRWNL: LROTHAUS 2006/01/09<br>CHKD: CYORK 2006/01/09<br>APPR: JPAMLIK 2006/01/10 | QUALITY SYMBOLS<br>▽=0<br>▽=0 | GENERAL TOLERANCES (UNLESS SPECIFIED)                |             | DIMENSION STYLE   | SCALE              | DESIGN UNITS | THIRD ANGLE PROJECTION                    |  |  |
|  |                               |  | mm          | INCH  | MM/IN              | 4:1          | INCH                                      |  |  |
|  |                               | 4 PLACES   | ± ---       | ±.0015  | DRAWN BY           | DATE         | TITLE                                     |  |  |
|  |                               | 3 PLACES   | ±0.038      | ±.005   | LROTHAUS           | 12/6/05      | 5.0MM, EURO HEADER, RIGHT ANGLE, OPEN END |  |  |
| 2 PLACES   | ±0.13                         | ±.01   | CYORK       | 01/06/06  | MOLEX INCORPORATED |              |   |  |  |
| 1 PLACE  | ±0.3                          | ± ---  | APPROVED BY |   | DATE               | MATERIAL NO. |   |  |  |
| ANGULAR ± 2 °  |                               | DRAFT WHERE APPLICABLE MUST REMAIN WITHIN DIMENSIONS |             | SEE CHART   |                    | DOCUMENT NO. | SHEET NO.                                 |  |  |
|  |                               |  |             |   |                    | SD-39522-003 | 1 OF 1                                    |  |  |
|  |                               |  |             | THIS DRAWING CONTAINS INFORMATION THAT IS PROPRIETARY TO MOLEX INCORPORATED AND SHOULD NOT BE USED WITHOUT WRITTEN PERMISSION |                    |              |   |  |  |

10 9 8 7 6 5 4 3 2 1

| Description                               | Circuit size | Material Numbers |           |           |                  |           |           |                  |           |           |                  |           | Dimensional Information |        |       |        |       |
|---|--------------|------------------|-----------|-----------|------------------|-----------|-----------|------------------|-----------|-----------|------------------|-----------|-------------------------|--------|-------|--------|-------|
|   |              | Black            |           |           |                  |           |           | Green            |           |           |                  |           |                         |        |       |        |       |
|   |              | 100% Tin         |           |           | 30 u" Gold       |           |           | 100% Tin         |           |           | 30 u" Gold       |           | Dim. A                  |        | Dim B |        |       |
|   |              | Printing Options |           |           | Printing Options |           |           | Printing Options |           |           | Printing Options |           |                         |        |       |        |       |
| None                                      | 10A          | 11A              | None      | 10A       | 11A              | None      | 10A       | 11A              | None      | 10A       | 11A              | mm        | inch                    | mm     | inch  |        |       |
| 5.0mm, Euro Header, Right Angle, Open End | 2            | 395220002        | 395220102 | 395220202 | 395220602        | 395220602 | 395220702 | 395225002        | 395225102 | 395225202 | 395225502        | 395225602 | 395225702               | 10.00  | 0.394 | 5.00   | 0.197 |
| 5.0mm, Euro Header, Right Angle, Open End | 3            | 395220003        | 395220103 | 395220203 | 395220603        | 395220603 | 395220703 | 395225003        | 395225103 | 395225203 | 395225503        | 395225603 | 395225703               | 15.00  | 0.591 | 10.00  | 0.394 |
| 5.0mm, Euro Header, Right Angle, Open End | 4            | 395220004        | 395220104 | 395220204 | 395220604        | 395220604 | 395220704 | 395225004        | 395225104 | 395225204 | 395225504        | 395225604 | 395225704               | 20.00  | 0.787 | 15.00  | 0.591 |
| 5.0mm, Euro Header, Right Angle, Open End | 5            | 395220005        | 395220105 | 395220205 | 395220605        | 395220605 | 395220705 | 395225005        | 395225105 | 395225205 | 395225505        | 395225605 | 395225705               | 25.00  | 0.984 | 20.00  | 0.787 |
| 5.0mm, Euro Header, Right Angle, Open End | 6            | 395220006        | 395220106 | 395220206 | 395220606        | 395220606 | 395220706 | 395225006        | 395225106 | 395225206 | 395225506        | 395225606 | 395225706               | 30.00  | 1.181 | 25.00  | 0.984 |
| 5.0mm, Euro Header, Right Angle, Open End | 7            | 395220007        | 395220107 | 395220207 | 395220607        | 395220607 | 395220707 | 395225007        | 395225107 | 395225207 | 395225507        | 395225607 | 395225707               | 35.00  | 1.378 | 30.00  | 1.181 |
| 5.0mm, Euro Header, Right Angle, Open End | 8            | 395220008        | 395220108 | 395220208 | 395220608        | 395220608 | 395220708 | 395225008        | 395225108 | 395225208 | 395225508        | 395225608 | 395225708               | 40.00  | 1.575 | 35.00  | 1.378 |
| 5.0mm, Euro Header, Right Angle, Open End | 9            | 395220009        | 395220109 | 395220209 | 395220609        | 395220609 | 395220709 | 395225009        | 395225109 | 395225209 | 395225509        | 395225609 | 395225709               | 45.00  | 1.772 | 40.00  | 1.575 |
| 5.0mm, Euro Header, Right Angle, Open End | 10           | 395220010        | 395220110 | 395220210 | 395220610        | 395220610 | 395220710 | 395225010        | 395225110 | 395225210 | 395225510        | 395225610 | 395225710               | 50.00  | 1.969 | 45.00  | 1.772 |
| 5.0mm, Euro Header, Right Angle, Open End | 11           | 395220011        | 395220111 | 395220211 | 395220611        | 395220611 | 395220711 | 395225011        | 395225111 | 395225211 | 395225511        | 395225611 | 395225711               | 55.00  | 2.165 | 50.00  | 1.969 |
| 5.0mm, Euro Header, Right Angle, Open End | 12           | 395220012        | 395220112 | 395220212 | 395220612        | 395220612 | 395220712 | 395225012        | 395225112 | 395225212 | 395225512        | 395225612 | 395225712               | 60.00  | 2.362 | 55.00  | 2.165 |
| 5.0mm, Euro Header, Right Angle, Open End | 13           | 395220013        | 395220113 | 395220213 | 395220613        | 395220613 | 395220713 | 395225013        | 395225113 | 395225213 | 395225513        | 395225613 | 395225713               | 65.00  | 2.559 | 60.00  | 2.362 |
| 5.0mm, Euro Header, Right Angle, Open End | 14           | 395220014        | 395220114 | 395220214 | 395220614        | 395220614 | 395220714 | 395225014        | 395225114 | 395225214 | 395225514        | 395225614 | 395225714               | 70.00  | 2.756 | 65.00  | 2.559 |
| 5.0mm, Euro Header, Right Angle, Open End | 15           | 395220015        | 395220115 | 395220215 | 395220615        | 395220615 | 395220715 | 395225015        | 395225115 | 395225215 | 395225515        | 395225615 | 395225715               | 75.00  | 2.953 | 70.00  | 2.756 |
| 5.0mm, Euro Header, Right Angle, Open End | 16           | 395220016        | 395220116 | 395220216 | 395220616        | 395220616 | 395220716 | 395225016        | 395225116 | 395225216 | 395225516        | 395225616 | 395225716               | 80.00  | 3.150 | 75.00  | 2.953 |
| 5.0mm, Euro Header, Right Angle, Open End | 17           | 395220017        | 395220117 | 395220217 | 395220617        | 395220617 | 395220717 | 395225017        | 395225117 | 395225217 | 395225517        | 395225617 | 395225717               | 85.00  | 3.346 | 80.00  | 3.150 |
| 5.0mm, Euro Header, Right Angle, Open End | 18           | 395220018        | 395220118 | 395220218 | 395220618        | 395220618 | 395220718 | 395225018        | 395225118 | 395225218 | 395225518        | 395225618 | 395225718               | 90.00  | 3.543 | 85.00  | 3.346 |
| 5.0mm, Euro Header, Right Angle, Open End | 19           | 395220019        | 395220119 | 395220219 | 395220619        | 395220619 | 395220719 | 395225019        | 395225119 | 395225219 | 395225519        | 395225619 | 395225719               | 95.00  | 3.740 | 90.00  | 3.543 |
| 5.0mm, Euro Header, Right Angle, Open End | 20           | 395220020        | 395220120 | 395220220 | 395220620        | 395220620 | 395220720 | 395225020        | 395225120 | 395225220 | 395225520        | 395225620 | 395225720               | 100.00 | 3.937 | 95.00  | 3.740 |
| 5.0mm, Euro Header, Right Angle, Open End | 21           | 395220021        | 395220121 | 395220221 | 395220621        | 395220621 | 395220721 | 395225021        | 395225121 | 395225221 | 395225521        | 395225621 | 395225721               | 105.00 | 4.134 | 100.00 | 3.937 |
| 5.0mm, Euro Header, Right Angle, Open End | 22           | 395220022        | 395220122 | 395220222 | 395220622        | 395220622 | 395220722 | 395225022        | 395225122 | 395225222 | 395225522        | 395225622 | 395225722               | 110.00 | 4.331 | 105.00 | 4.134 |
| 5.0mm, Euro Header, Right Angle, Open End | 23           | 395220023        | 395220123 | 395220223 | 395220623        | 395220623 | 395220723 | 395225023        | 395225123 | 395225223 | 395225523        | 395225623 | 395225723               | 115.00 | 4.528 | 110.00 | 4.331 |
| 5.0mm, Euro Header, Right Angle, Open End | 24           | 395220024        | 395220124 | 395220224 | 395220624        | 395220624 | 395220724 | 395225024        | 395225124 | 395225224 | 395225524        | 395225624 | 395225724               | 120.00 | 4.724 | 115.00 | 4.528 |

|  |                               |  |  |                 |  |   |              |                        |
|--|-------------------------------|--|--|-----------------|--|---|--------------|------------------------|
| SEE SHEET 1<br>EC NO: NEC2006-0310<br>DRWNL: LROTHAUS 2006/01/09<br>CHKD: CYORK 2006/01/09<br>APPR: JPAWLIK 2006/01/10 | QUALITY SYMBOLS<br>▽=0<br>▽=0 | GENERAL TOLERANCES (UNLESS SPECIFIED)                |  | DIMENSION STYLE |  | SCALE   | DESIGN UNITS | THIRD ANGLE PROJECTION |
|  |                               |  |  | MM/IN           |  | 4:1   | INCH         |                        |
|  |                               |  |  | DRAWN BY DATE   |  | TITLE   |              |                        |
|  |                               |  |  | CHECKED BY DATE |  | 5.0MM, EURO HEADER, RIGHT ANGLE, OPEN END   |              |                        |
|  |                               | APPROVED BY DATE                                     |  | MATERIAL NO.    |  | DOCUMENT NO.  |              | SHEET NO.              |
|  |                               | ANGULAR ± 2 °  |  | SEE CHART       |  | SD-39522-003  |              |                        |
|  |                               | DRAFT WHERE APPLICABLE MUST REMAIN WITHIN DIMENSIONS |  | SIZE B          |  | THIS DRAWING CONTAINS INFORMATION THAT IS PROPRIETARY TO MOLEX INCORPORATED AND SHOULD NOT BE USED WITHOUT WRITTEN PERMISSION |              |                        |

9 8 7 6 5 4 3 2 1